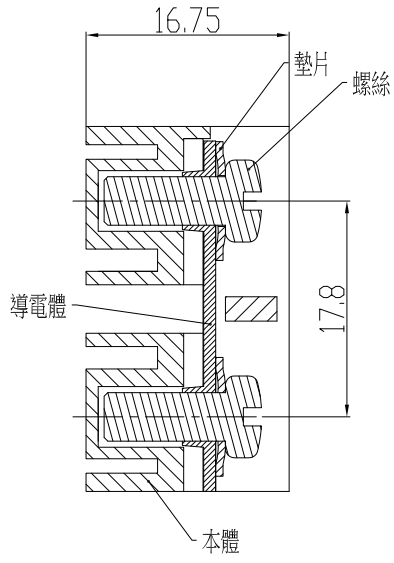
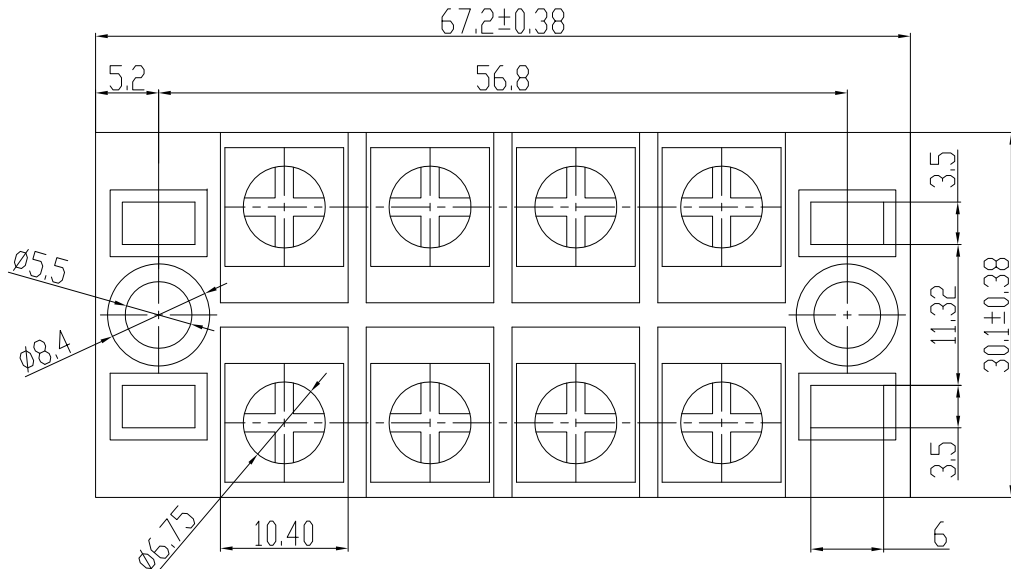
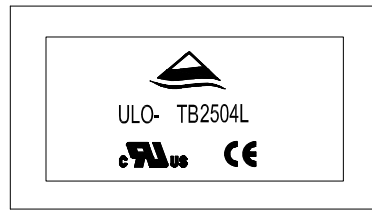
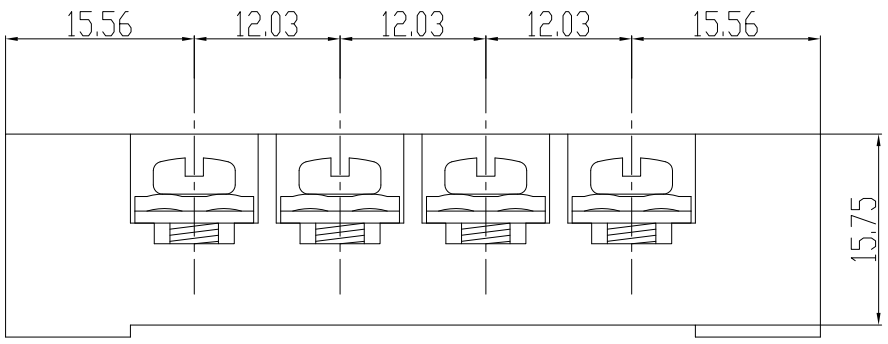


REV.	NOTES	DATE
A	RELEASED	2020/03/24
B	客户要求变更产品上的印字	2020/04/20



- Rating: 300V/25A
<IEC> 600V/25A
- Poles: 8P
- Insulation Withstands Voltage: AC2500V/1 Min
- Screw Torque Value: 1.2Nm
- Insulation Resistance: 500MΩ at DC500V
- Using Temperature Range: -40°C/+130°C
- Suitable Electric Wire: 10-26AWG

Product material and specification processing
 Conductive body:
 brass 1.0mm plated with nickel
 Subject: PC BLACK
 Screws: iron or copper M4 plated with nickel



DIMENSIONS TOLERANCE	
METRIC	
.0=	±.38
.00=	±.25
.000=	±.15
.0000=	±
ANG.=	± 1°

單位(UNITS)	mm	東莞翊豐精密五金有限公司					
數量(QTY)	N/A						
材料(MTL)	SEE NOTE						
處理(FINISH)	SEE NOTE						
繪圖(DRAW)		圖名(NAME) 8PIN接線端子鐵螺絲鍍鋅 間距12.03mm 无上盖RoHS					
設計(DE'N)		料號(PART NUMBER)		AATB+2504L-8PZ31			
審核(CHEK)		圖號(DRAW NUMBER)					
核准(APP'D)		圖檔(FILE NAME .DWG)					
比例(SCALE)	1/1	圖紙(SIZE)	A4	頁次(SHEET)	1/2	版次(REV.)	B