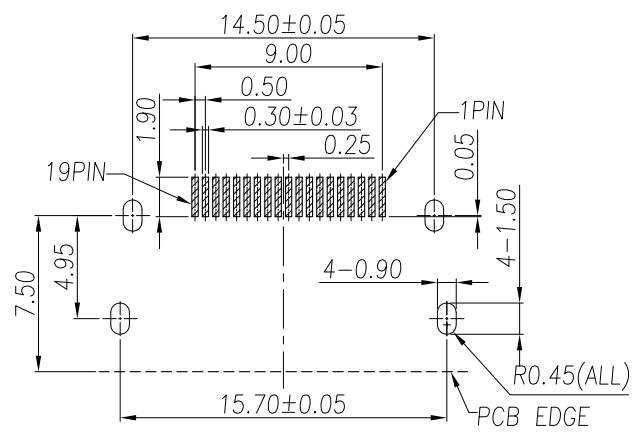
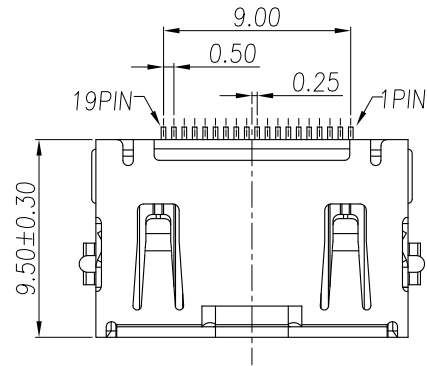


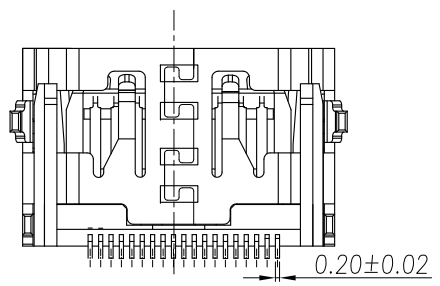
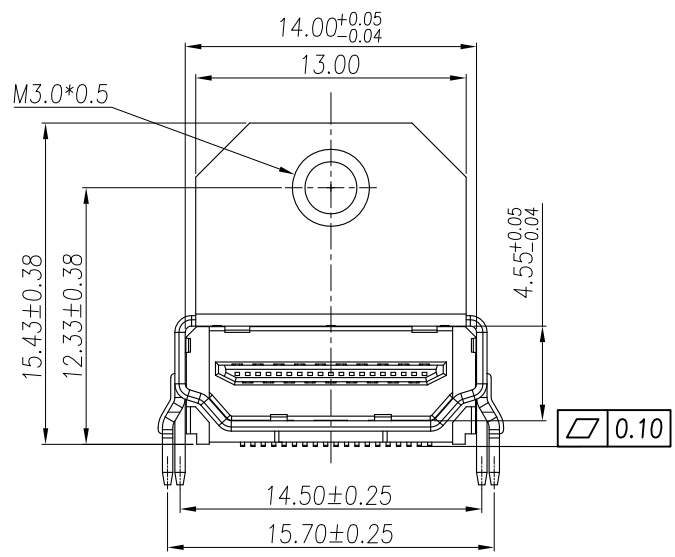
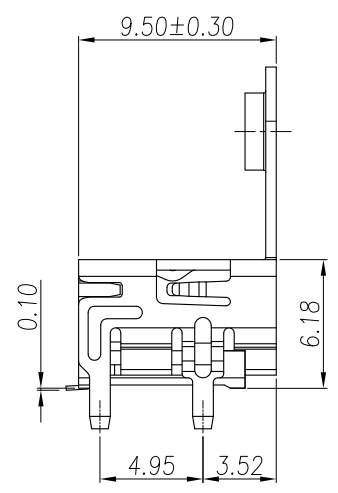
| | | |
|------|----------|------------|
| REV. | NOTES | DATE |
| A | RELEASED | 2021/04/27 |



RECOMMENDED PCB LAYOUT (T:1.60mm)
TOLERANCE UNSPECIFIED ±0.10mm

NOTES:

- 1.) MATERIAL:
 - 1-1. HOUSING:LCP,UL 94V-0,COLOR:BLACK;
 - 1-2. CONTACT:C2680 T=0.20mm;
 - 1-3. SHELL:C2680 T=0.50mm
- 2-1. CONTACT: 0.6u"MIN.Gold In Contact Area Over 30u" MIN. Ni.
- 2-2. SHELL: 30u" Nickel plated over all.
- 3.) SPECIFICATIONS:
 - 3-1. VOLTAGE RATING: 40V
 - 3-2. CURRENT RATING: 0.5A
 - 3-3. INSULATION RESISTANCE: 100MΩ MIN
 - 3-4. CONTACT RESISTANCE: 30mΩ MAX
 - 3-5. OPERATION TEMPERATURE: -20° TO +85°
 - 3-6. INSERT FORCE:4.0kgf MAX
 - 3-7. EXTRACT FORCE:1.0kgf~4.0kgf
 - 3-8. DURABILITY: 10000 CYCLES
 - 3-9 生产料号:IAF05-19C13-0197P-R1



| | |
|-----------------------------|-------|
| DIMENSIONS TOLERANCE METRIC | |
| X | ±0.38 |
| XX | ±0.30 |
| X.XX | ±0.25 |
| X.XXX | ±0.15 |
| ANGLES | |
| X | ±1° |
| X.X | ±0.5° |

| | | | | | | | | | |
|--------------|----------|------------------------------------------------------|-----|------------------|----|-----------|-----|----------|---|
| 單位(UNITS) | mm | 東莞翊豐精密五金有限公司 | | | | | | | |
| 數量(QTY) | N/A | | | | | | | | |
| 材料(MTL) | SEE NOTE | | | | | | | | |
| 處理(FINISH) | SEE NOTE | | | | | | | | |
| 繪圖(DRAW) | | 圖名(NAME) HDMI 19P/F SMT G/F全金單耳 LCP黑色銅殼无LOGO ROHS | | | | | | | |
| 設計(DESIGN) | | 料號(PART NUMBER) | | AAUS+19C13-0197R | | | | | |
| 審核(CHECK) | | 圖號(DRAW NUMBER) | | | | | | | |
| 核准(APPROVED) | | 圖檔(FILE NAME .DWG) | | | | | | | |
| | | 比例(SCALE) | 1:1 | 圖紙(SIZE) | A4 | 頁次(SHEET) | 1/2 | 版次(REV.) | A |