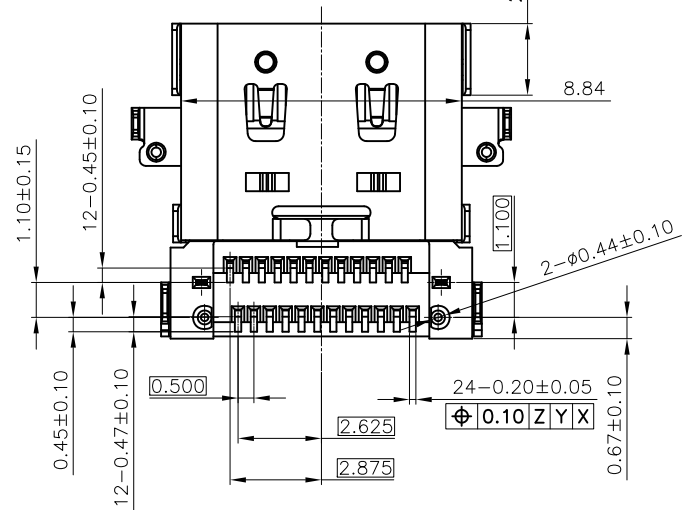
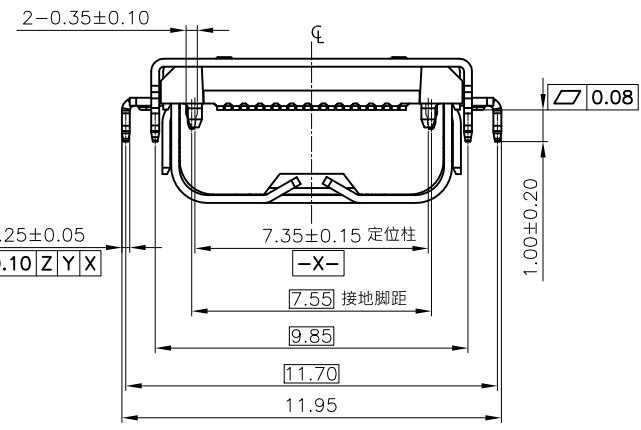
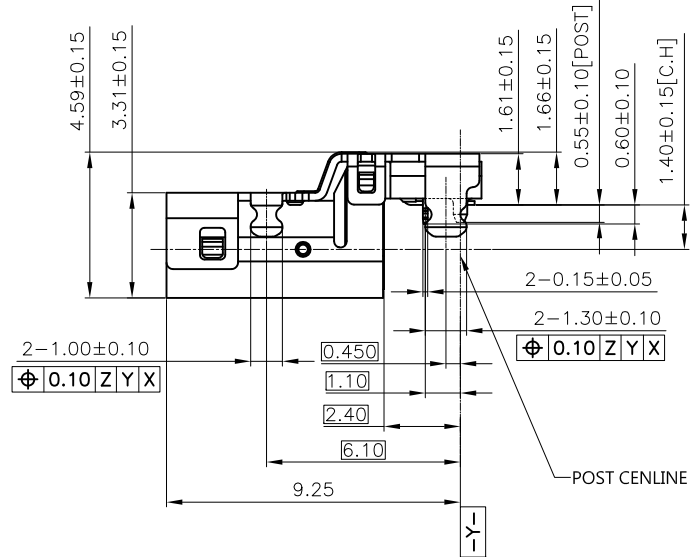
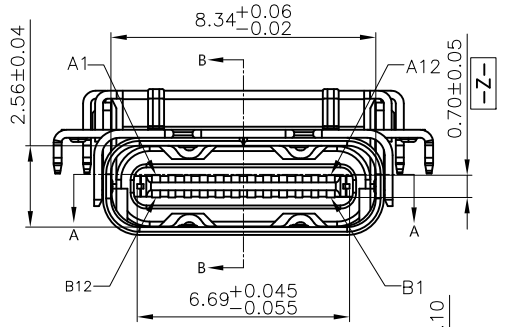
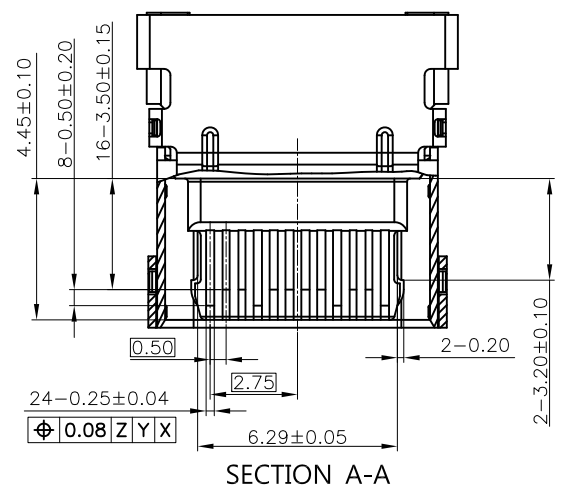
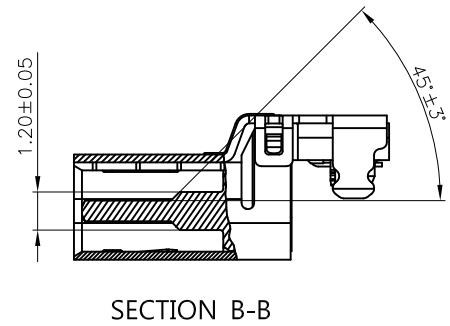
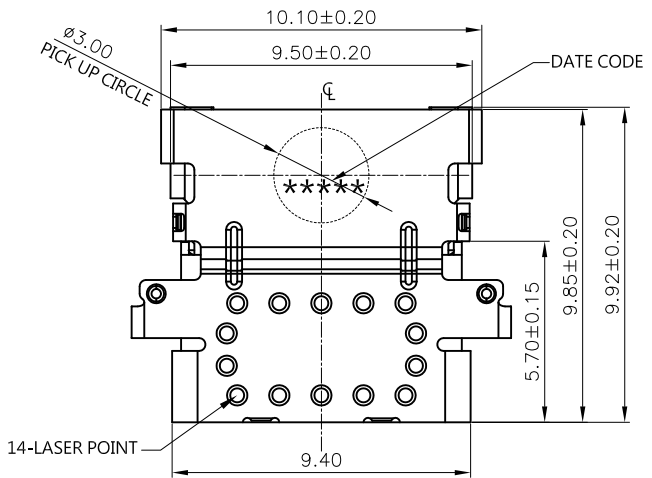


REV.	NOTES	DATE
A	RELEASED	2023/08/03

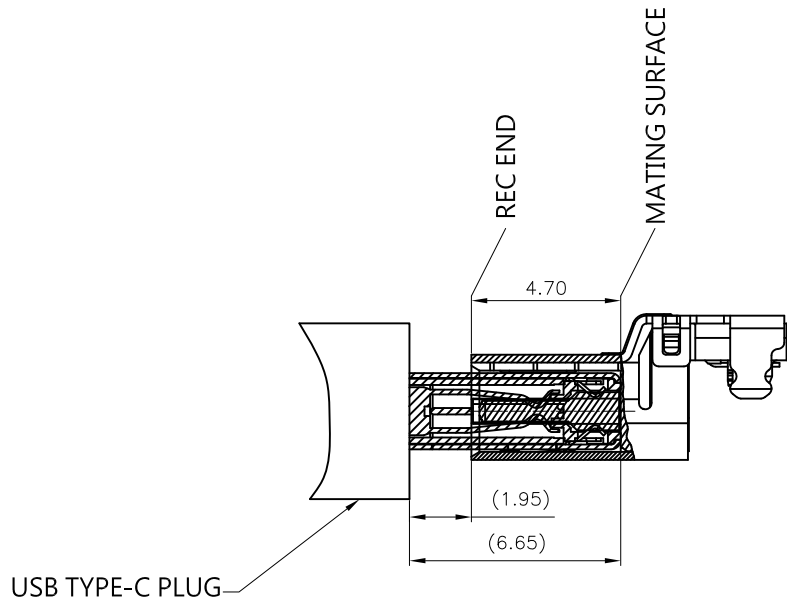


DIMENSIONS TOLERANCE METRIC
 .0 = ± 0.3
 .00 = ± 0.2
 .000 = ± 0.1
 ANG. = $\pm 1^\circ$

單位(UNITS)	mm
數量(QTY)	N/A
材料(MTL)	SEE NOTE
處理(FINISH)	SEE NOTE

Dong-Guan Yi-Feng Precision Metals Co., Ltd (SPG)					
圖名(NAME) USB4 GEN3 Type-C Mid-Mount Dual-Row SMT 24P Receptacle CH=1.4mm					
料號(PART NUMBER)			AUS+C064+140B		
圖號(DRAW NUMBER)			RAUSC064140B		
圖檔(FILE NAME .DWG) jianwu_L F 共華-USB 4.0 TYPE C 沉板雙路SMT CH1.4					
比例(SCALE)	1:1	圖紙(SIZE)	A4	頁次(SHEET)	1/4
版次(REV.)	A				

REV.	NOTES	DATE
A	RELEASED	2023/08/03



NOTE:

1.MATERIAL SPECIFICATION

HOUSING_BLACK: LCP_E6808UHF+40%GF[UL94V-0]
 CONTACT PIN: COPPER ALLOY_C18400
 OUT SHELL: SUS_304 3/4H
 MID SHELL: SUS_301 EH [T=0.15]
 IN SHELL: SUS_304 3/4H

2.PLATING SPECIFICATION

CONTACT PIN: NICKEL 50u"(Min.) UNDER PLATING OVER ALL.
 GOLD PLATING 30u"(Min.) ON CONTACT AREA.
 G/F PLATING ON SOLDER AREA.
 OUT SHELL: NICKEL 50u"(Min.) PLATING ON SOLDER AREA
 IN SHELL: NICKEL 50u"(Min.) PLATING ON SOLDER AREA
 MID SHELL: NICKEL 50u"(Min.) PLATING ON SOLDER AREA

3. HF COMPLIANT, RoHS COMPLIANT

4.ELECTRICT

CURRENT RATING: 5.0A(Max.)
 VOLTAGE RATING: 20V AV [RMS].

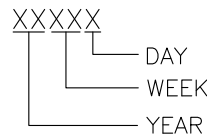
5.ENVIRONMENTAL

TEMPERATURE: -25°C TO +85°C

6.IR REFLOW

THE PEAK TEMPERATURE ON THE BOARD SHALL
 MAINTAIN 10±1 SECONDS AT 260±5°C

7.DATE CODE FORMAT

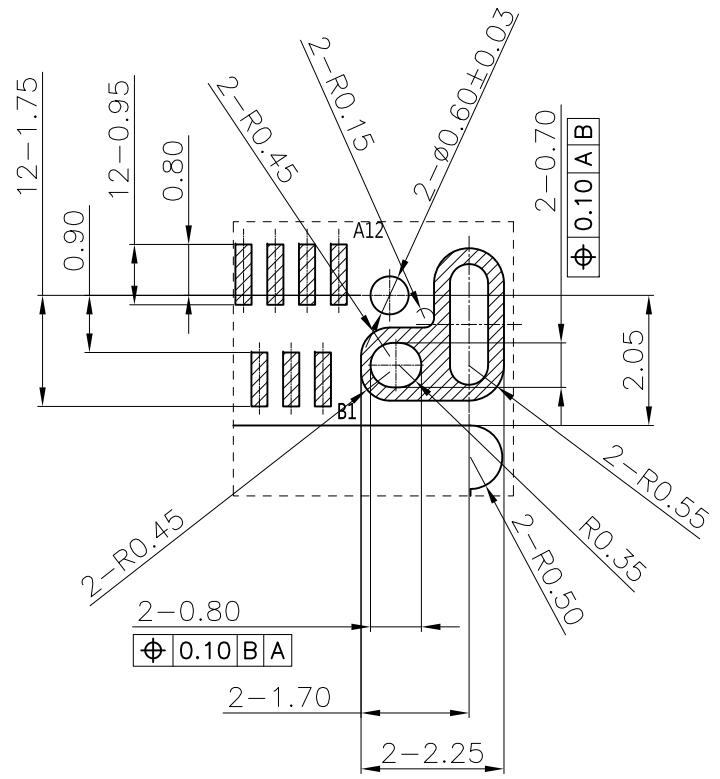
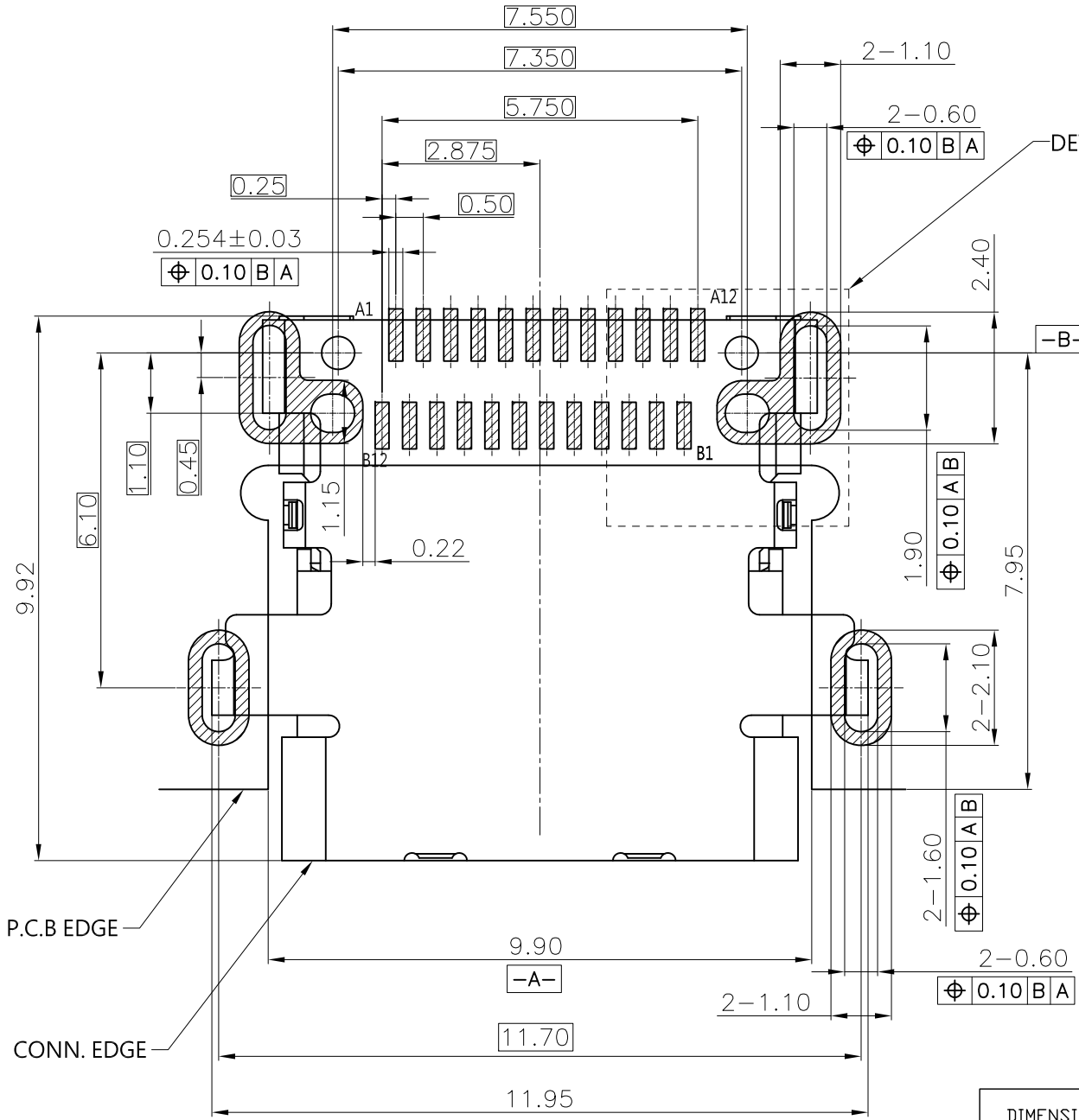


USB TYPE-C PIN ASSIGNMENTS

PIN NUMBER	SIGNAL NAME	PIN NUMBER	SIGNAL NAME
A1	GND	B12	GND
A2	SSTXp1	B11	SSRXp1
A3	SSTXn1	B10	SSRXn1
A4	Vbus	B9	Vbus
A5	CC1	B8	SBU2
A6	Dp1	B7	Dn2
A7	Dn1	B6	Dp2
A8	SBU1	B5	CC2
A9	Vbus	B4	Vbus
A10	SSRXn2	B3	SSTXn2
A11	SSRXp2	B2	SSTXp2
A12	GND	B1	GND

DIMENSIONS TOLERANCE METRIC .0= ±0.3 .00= ±0.2 .000= ±0.1 ANG.=± 1°	單位(UNITS)	mm	Dong-Guan Yi-Feng Precision Metals Co.,Ltd (SPG)				
	數量(QT'Y)	N/A					
	材料(MT'L)	SEE NOTE					
	處理(FINISH)	SEE NOTE					
繪圖(DRAW)	設計(DE'N)	審核(CH'K)	核准(APP'D)	圖名(NAME) USB4 GEN3 Type-C Mid-Mount Dual-Row SMT 24P Receptacle CH=1.4mm			
料號(PART NUMBER)		AUS+C064+140B		圖號(DRAW NUMBER)		RAUSC064140B	
圖檔(FILE NAME .DWG)		jianwu_n F特等-USB 4.0 TYPE C 沉板雙端SMT CH1.4		比例(SCALE)	1:1	圖紙(SIZE)	A4
		頁次(SHEET)	3/4	版次(REV.)	A		

REV.	NOTES	DATE
A	RELEASED	2023/08/03



RECOMMEND P.C.B LAYOUT [TOP VIEW]
 DEFAULT TOLERANCE ±0.05 [P.C.B THICKNESS=1.0mm]
 SCALE: 2:1

DIMENSIONS TOLERANCE METRIC
 .0= ±0.3
 .00= ±0.2
 .000= ±0.1
 ANG.= ± 1°

單位(UNITS)	mm
數量(QTY)	N/A
材料(MTL)	SEE NOTE
處理(FINISH)	SEE NOTE

Dong-Guan Yi-Feng Precision Metals Co.,Ltd (SPG)							
圖名(NAME) USB4 GEN3 Type-C Mid-Mount Dual-Row SMT 24P Receptacle CH=1.4mm							
料號(PART NUMBER)				AUS+C064+140B			
圖號(DRAW NUMBER)				RAUSC064140B			
圖檔(FILE NAME .DWG) jianwu_L F 精華-USB 4.0 TYPE C 沉板雙端SMT CH1.4							
比例(SCALE)	2:1	圖紙(SIZE)	A4	頁次(SHEET)	2/4	版次(REV.)	A