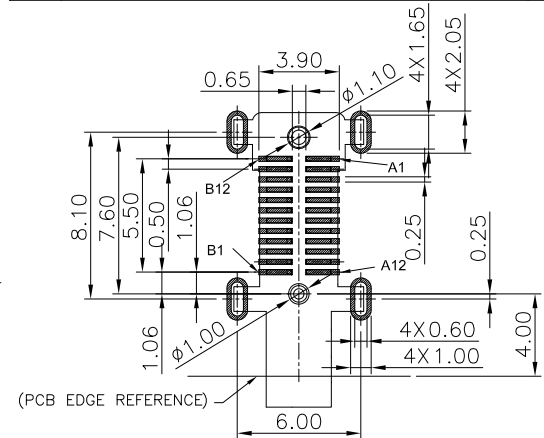
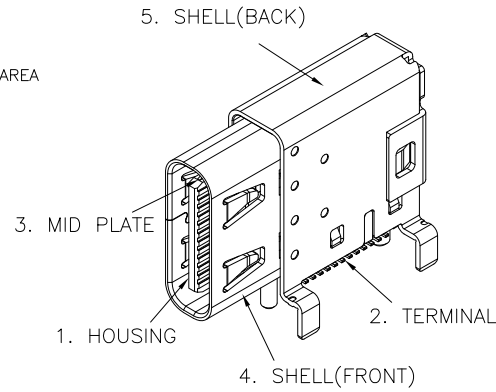


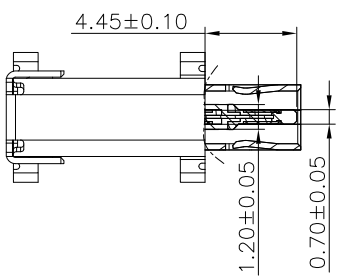
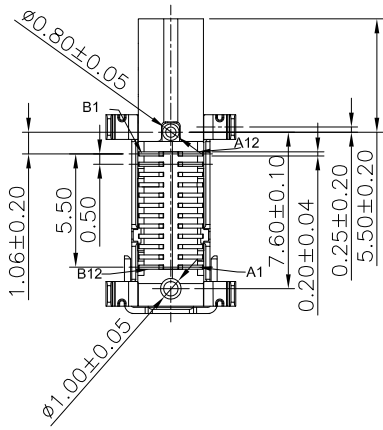
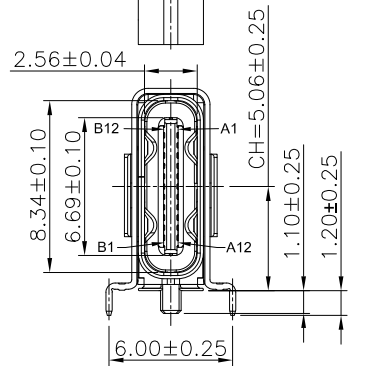
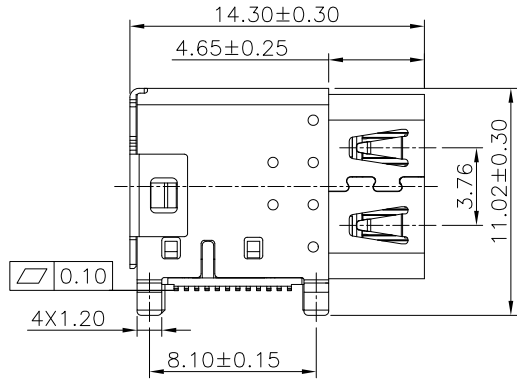
REV.	NOTES	DATE
A	RELEASED	2023/09/06



RECOMMENDED P.C.B LAYOUT
TOLERANCE ± 0.05mm (TOP VIEW)

SPECIFICATION

- CURRENT RATING : 5.0A FOR Vbus PIN, 1.25A FOR Vconn PIN, 0.25A FOR OTHER PINS.
- VOLTAGE RATING : 20V DC MAX.
- CONTACT RESISTANCE : 40mΩ.
- INSULATION RESISTANCE : 100MΩ MIN.
- DIELECTRIC WITHSTANDING VOLTAGE : 100 VAC MIN.
- OPERATING TEMPERATURE : -40°C TO +85°C.
- MATING FORCE : 5~20N.
- UNMATING FORCE : 8~20N.
- DURABILITY : 10,000 CYCLES.
- RECOMMENDED PROCESS : THE PEAK TEMPERATURE ON THE BOARD SHALL MAINTAIN 260°C.



PIN ASSIGNMENT:

PIN	Signal Name	PIN	Signal Name
A1	GND	B12	GND
A2	SSRXp1	B11	SSRXp1
A3	SSRXn1	B10	SSRXn1
A4	Vbus	B9	Vbus
A5	CC1	B8	SBU2
A6	Dp1	B7	DN2
A7	Dn1	B6	DP2
A8	SBU1	B5	CC2
A9	Vbus	B4	Vbus
A10	SSTXn2	B3	SSTXn2
A11	SSTXp2	B2	SSTXp2
A12	GND	B1	GND

NO.	DESCRIPTION	MATERIAL	REMARKS	QTY
5	SHELL(BACK)	SUS304	50u" NICKEL PLATED	1PCS
4	SHELL(FRONT)	SUS304	50u" NICKEL PLATED	1PCS
3	MID PLATE	SUS301	NA	1PCS
2	TERMINAL	C7025	3u"+G.F(SOLDER TAIL) .50u" Nickel plated over all	24PCS
1	HOUSING	LCP	BLACK	1PCS

單位(UNITS)	mm	東莞翊豐精密五金有限公司			
數量(QT'Y)	N/A				
材料(MT'L)	SEE NOTE				
處理(FINISH)	SEE NOTE				
繪圖(DRAW)		圖名(NAME)			
設計(DE'N)		料號(PART NUMBER)		AAUS+CFJ22+2BG23	
審校(CH'K)		圖檔(FILE NAME .DWG)			
核准(APP'D)		比例(SCALE)	1/1	圖紙(SIZE)	A4
		頁次(SHEET)	1/2	版次(REV.)	A

DIMENSIONS TOLERANCE METRIC

X : ±0.3
X.X : ±0.2
X.XX : ±0.1
X.XXX : ±0.05

ANGLES
X : ±1°
X.X : ±0.5°