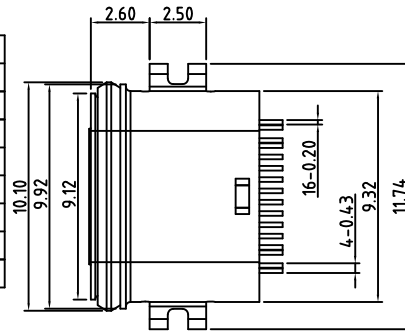
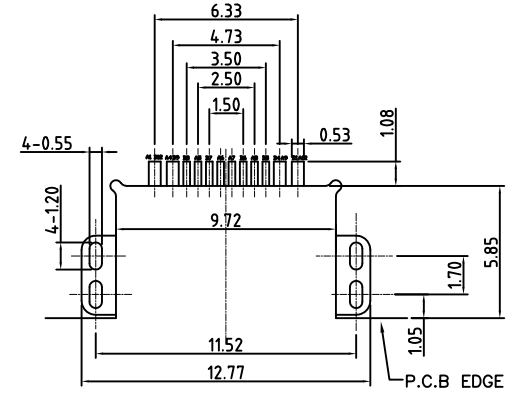


USB TYPE-C PIN ASSIGNMENTS

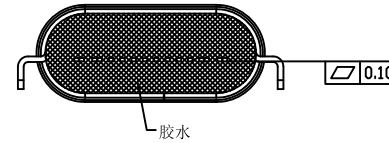
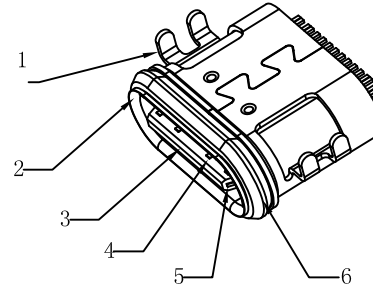
| PIN NUMBER | SIGNAL NAME | PIN NUMBER | SIGNAL NAME |
|------------|-------------|------------|-------------|
| A1 | GND | B12 | GND |
| A4 | VBUS | B9 | VBUS |
| A5 | CC1 | B8 | SBU2 |
| A6 | Dp1 | B7 | Dn2 |
| A7 | Dn1 | B6 | Dp2 |
| A8 | SBU1 | B5 | CC2 |
| A9 | VBUS | B4 | VBUS |
| A12 | GND | B1 | GND |



| REV. | NOTES | DATE |
|------|----------|------------|
| A | RELEASED | 2020/09/09 |



RECOMMENDED PCB LAYOUT(TOP VIEW)
DEFAULT TOLERANCE:±0.05



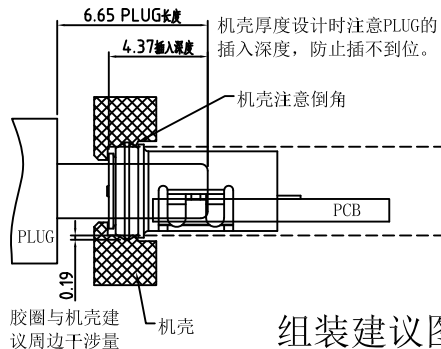
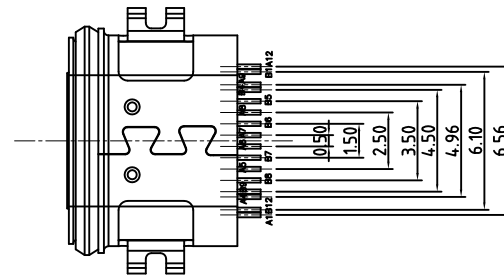
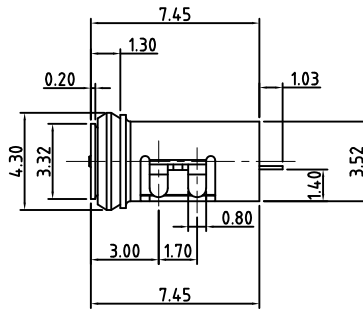
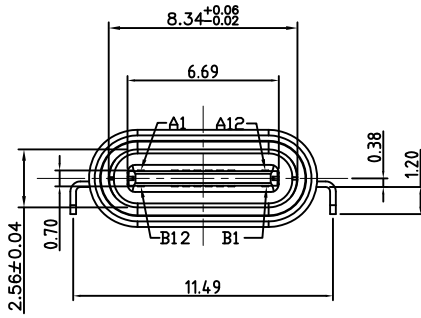
SPECIFICATIONS:

- ELECTRICAL CHARACTERISTICS:
 - 1-1. RATING: 12V 3A MIN FOR VBUS;0.25A MIN FOR OTHER.
 - 1-2. CONTACT RESISTANCE: INITIAL 40mΩ MAX.AFTER 50mΩ MAX.
 - 1-3. DIELECTRIC WITHSTANDING VOLTAGE: 100V AC FOR ONE MINUTE
 - 1-4. INSULATION RESISTANCE: 1000M MIN. MEASURED BY 100 VAC
- MECHANICAL CHARACTERISTICS:
 - 2-1. INSERTION FORCE : 5~20N.
 - 2-2. WITHDRAWAL FORCE :8~20N(INITIAL),6~20N(AFTER 10000 CYCLES);
- LIFE TEST: 10000 CYCLES .
- WATER PROOFNESS:THIS PRODUCT IS BASED ON IPX7.
- TO CONFORM TO SINGATRON HAZARDOUS SUBSTANCE FREE SPECIFICATION
- HALOGEN FREE PRODUCT IDENTIFICATION LOGO ON PACKAGING:
- PACKAGING:REEL

| NO. | DESCRIPTION | MATERIAL | REMARKS | QTY |
|-----|-----------------|--------------------------|-----------------|------|
| 6 | O-ring | 橡胶 | WHITE | 1PCS |
| 5 | SHIELDING PLATE | STAINLESS STEEL | | 1PCS |
| 4 | CONTACT | High Conductivity Copper | Au/Ni Plated | 1SET |
| 3 | HOUSING | HIGH TEMPERATURE PLASTIC | BLACK | 1PCS |
| 2 | INNER SHELL | STAINLESS STEEL | BLACK NI Plated | 1PCS |
| 1 | OUTER SHELL | STAINLESS STEEL | NI Plated | 1PCS |

| | | | | |
|--------------|----------|--------------------------------------|------------------|---------------|
| 單位(UNITS) | mm | 東莞翊豐精密五金有限公司 | | |
| 數量(QTY) | N/A | | | |
| 材料(MTL) | SEE NOTE | | | |
| 處理(FINISH) | SEE NOTE | | | |
| 繪圖(DRAW) | | 圖名(NAME) TYPE-C 16PIN 沉板1.4二腳插板防水 | | |
| 設計(DESIGN) | | 料號(PART NUMBER) | AAUS+TC16P+00227 | |
| 審核(CHECK) | | 圖號(DRAW NUMBER) | | |
| 核准(APPROVED) | | 圖檔(FILE NAME .DWG) | | |
| 比例(SCALE) | 1/1 | 圖紙(SIZE) | A4 | 頁次(SHEET) 1/2 |
| | | | | 版次(REV.) A |

| DIMENSIONS TOLERANCE METRIC | |
|-----------------------------|-------|
| X | ±0.3 |
| X.X | ±0.2 |
| X.XX | ±0.15 |
| X.XXX | ±0.05 |
| ANGLES | |
| X | ±1° |
| X.X | ±0.5° |



组装建议图