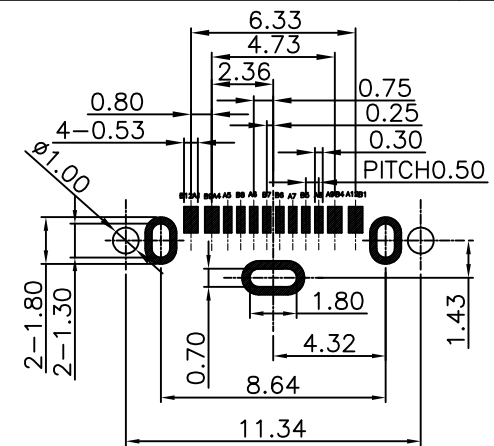
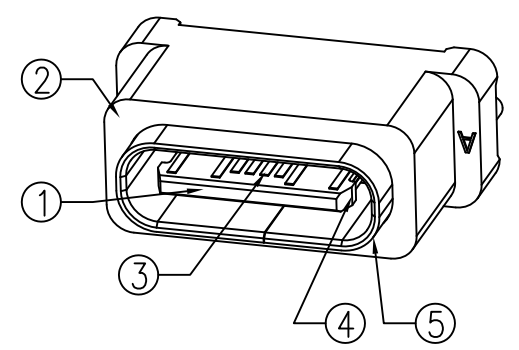
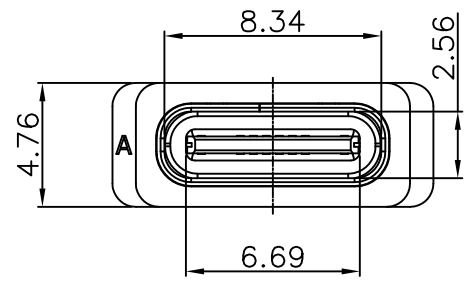
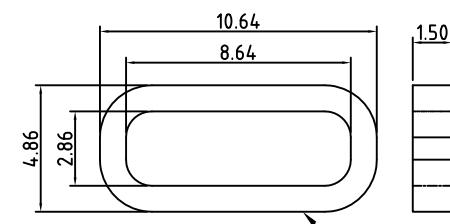
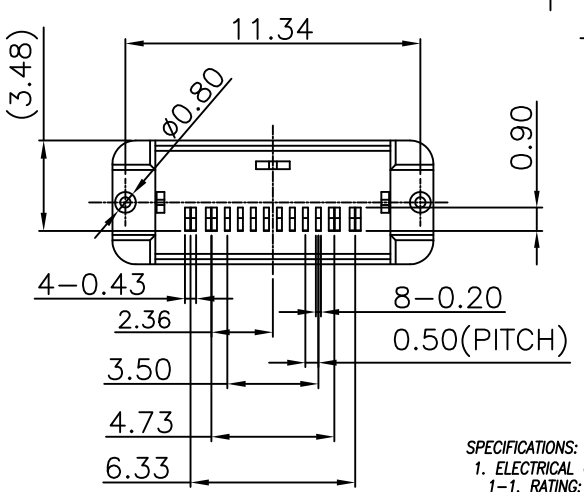
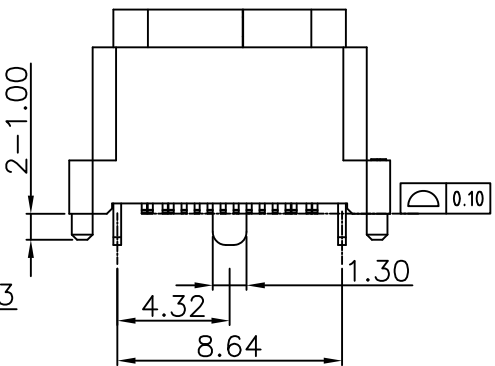
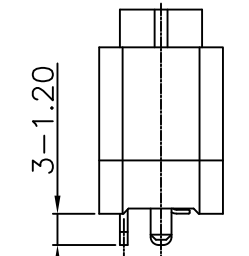
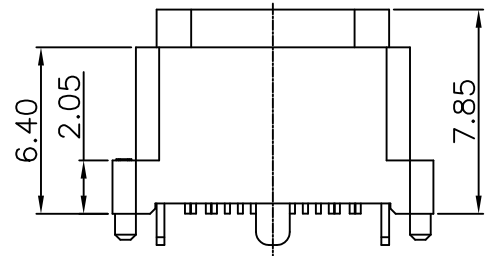


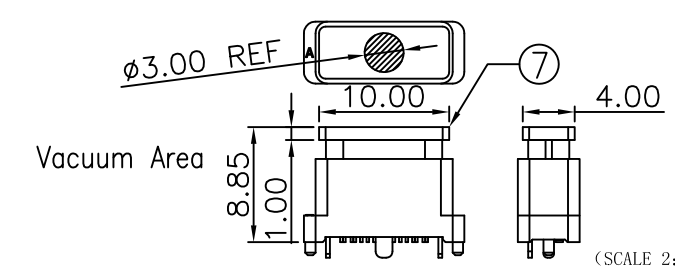
REV.	NOTES	DATE
A	RELEASED	2021/09/21



RECOMMENDED PCB LAYOUT(TOP VIEW)  
(GENERAL TOLERANCE±0.05)



建议胶圈尺寸 ⑥



(SCALE 2: 1)

**SPECIFICATIONS:**

- ELECTRICAL CHARACTERISTICS:**
  - RATING: 20V 3A MIN FOR VBUS;0.25A MIN FOR OTHER.
  - CONTACT RESISTANCE: INITIAL 40mΩ MAX.AFTER 50mΩ MAX.
  - DIELECTRIC WITHSTANDING VOLTAGE: 100V AC FOR ONE MINUTE
  - INSULATION RESISTANCE: 1000M Ω MIN. MEASURED BY 100 VAC
- MECHANICAL CHARACTERISTICS:**
  - INSERTION FORCE : 5~20N.
  - WITHDRAWAL FORCE :8~20N(INITIAL),6~20N(AFTER 10000 CYCLES);
- LIFE TEST: 10000 CYCLES .
- DUSTPROOF AND WATERPROOF GRADE IP68.
- TO CONFORM TO SINGATRON HAZARDOUS SUBSTANCE FREE SPECIFICATION
- HALOGEN FREE PRODUCT IDENTIFICATION LOGO ON PACKAGING:
- PACKAGING:REEL



DIMENSIONS TOLERANCE METRIC	
X	±0.3
X.X	±0.2
X.XX	±0.1
X.XXX	±0.05
ANGLES	
X	±1°
X.X	±0.5°

A1	GND	B12	GND
A4	VBUS	B9	VBUS
A5	CC1	B8	SBU2
A6	DP1	B7	DN2
A7	DN1	B6	DP2
A8	SBU1	B5	CC2
A9	VBUS	B4	VBUS
A12	GND	B1	GND
PIN	SIGNAL NAME	PIN	SIGNAL NAME

NO.	DESCRIPTION	MATERIAL	REMARKS	QTY
7	CAP	HIGH TEMPERATURE PLASTIC	BLACK	1PCS
6	GLUE WATER	EPOXY	BLACK	1PCS
5	SHELL	STAINLESS STEEL	NI Plated	1PCS
4	SHIELDING PLATE	STAINLESS STEEL	NI Plated	1PCS
3	CONTACT	High Conductivity Copper	Au/NI Plated	16PCS
2	SHELL HOUSING	HIGH TEMPERATURE PLASTIC	BLACK	1PCS
1	HOUSING	HIGH TEMPERATURE PLASTIC	BLACK	1PCS

單位(UNITS)	mm	東莞翊豐精密五金有限公司
數量(QTY)	N/A	
材料(MT'L)	SEE NOTE	
處理(FINISH)	SEE NOTE	
繪圖(DRAW)		圖名(NAME) 防水TYPE-C 16PIN直立式H7.85三腳插板
設計(DESIGN)		料號(PART NUMBER) AAUS+TC16P+00518
審核(CHECK)		圖號(DRAW NUMBER)
核准(APPRO'D)		圖檔(FILE NAME .DWG)
比例(SCALE)	1/1	圖紙(SIZE) A4
		頁次(SHEET) 1/2
		版次(REV.) A