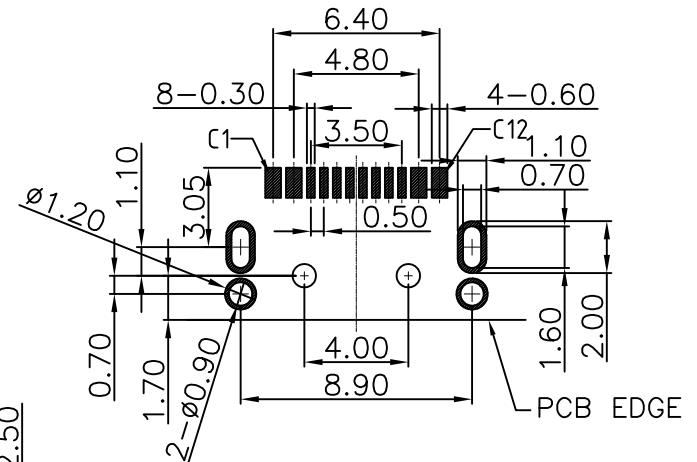
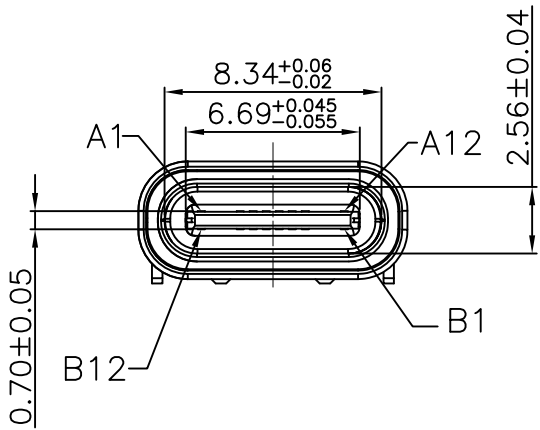
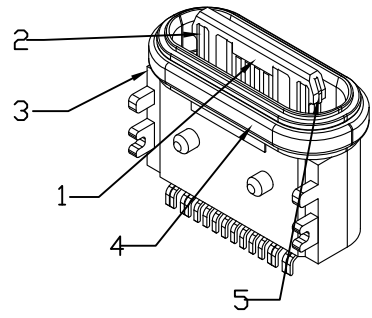


| | | |
|------|----------|------------|
| REV. | NOTES | DATE |
| A | RELEASED | 2022/08/26 |



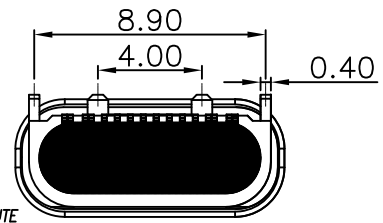
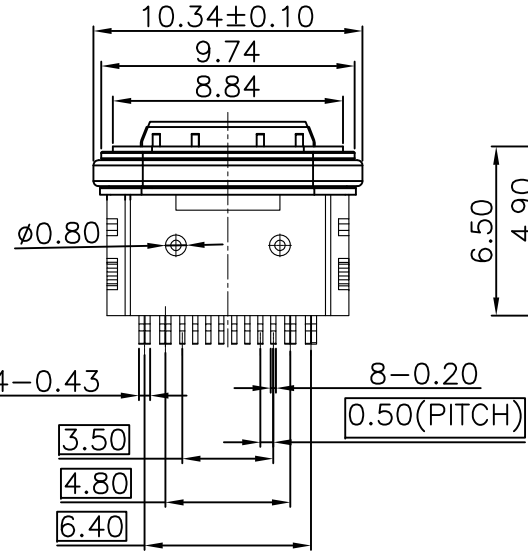
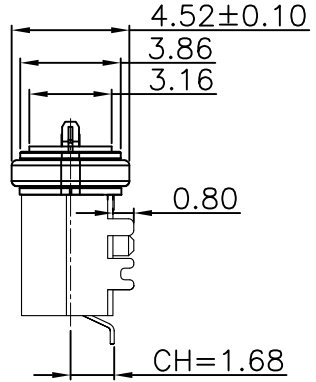
RECOMMENDED PCB LAYOUT(TOP VIEW)

THICKNESS T=0.8mm
DEFAULT TOLERANCE+/-0.05

INTERFACE(FRONT VIEW)

| | | | | | | | | | | | |
|-----|-----|-----|------|------|-----|-----|------|------|-----|-----|-----|
| A1 | A2 | A3 | A4 | A5 | A6 | A7 | A8 | A9 | A10 | A11 | A12 |
| GND | | | VBUS | CC1 | DP1 | DN1 | SBU1 | VBUS | | | GND |
| GND | | | VBUS | SBU2 | DN2 | DP2 | CC2 | VBUS | | | GND |
| B12 | B11 | B10 | B9 | B8 | B7 | B6 | B5 | B4 | B3 | B2 | B1 |

| 5 | MID PALTE | 1 | SUS301 | T=0.15mm |
|------|-----------|------|------------------------------|----------|
| 4 | O RING | 1 | SILICON RUBBER | RED |
| 3 | Shell | 1 | ZINC ALLOG Ni 40~80u" | WHITE |
| 2 | Contact | 16 | C7025 Ni 50U"; Au 3U"Plating | T=0.15mm |
| 1 | Housing | 1 | PA10T (G.F30%) | BLACK |
| ITEM | PART NAME | Q'TY | FINISH | NOTE |



- SPECIFICATIONS:**
- ELECTRICAL CHARACTERISTICS:**
 - 1-1. RATING: 20V 3A MIN FOR VBUS;0.25A MIN FOR OTHER.
 - 1-2. CONTACT RESISTANCE: INITIAL 40mΩ MAX.AFTER 50mΩ MAX.
 - 1-3. DIELECTRIC WITHSTANDING VOLTAGE: 100V AC FOR ONE MINUTE
 - 1-4. INSULATION RESISTANCE: 1000MΩ MIN. MEASURED BY 100 VAC
 - MECHANICAL CHARACTERISTICS:**
 - 2-1. INSERTION FORCE : 5~20N.
 - 2-2. WITHDRAWAL FORCE :8~20N(INITIAL),6~20N(AFTER 10000 CYCLES);
 - LIFE TEST: 10000 CYCLES .**
 - DUSTPROOF AND WATERPROOF GRADE IPX7.**
 - TO CONFORM TO SINGATRON HAZARDOUS SUBSTANCE FREE SPECIFICATION**
 - HALOGEN FREE PRODUCT IDENTIFICATION LOGO ON PACKAGING:**
 - PACKAGING:REEL**



| |
|-----------------------------|
| DIMENSIONS TOLERANCE METRIC |
| X :±0.3 |
| X.X :±0.2 |
| X.XX :±0.1 |
| X.XXX :±0.05 |
| ANGLES |
| X :±1° |
| X.X :±0.5° |

| | | | | | |
|------------|----------|---------------------------------|----|------------------|-----|
| 單位(UNITS) | mm | 東莞翊豐精密五金有限公司 | | | |
| 數量(QTY) | N/A | | | | |
| 材料(MTL) | SEE NOTE | | | | |
| 處理(FINISH) | SEE NOTE | 圖名(NAME) | | | |
| 繪圖(DRAW) | | 防水TYPE-C 16PIN 头部外露0.95mm鍍合金超薄款 | | | |
| 設計(DESIGN) | | 料號(PART NUMBER) | | AAUS+TC16P+00867 | |
| 審核(CHECK) | | 圖號(DRAW NUMBER) | | | |
| 核准(APP'D) | | 圖檔(FILE NAME .DWG) | | | |
| 比例(SCALE) | 1/1 | 圖紙(SIZE) | A4 | 頁次(SHEET) | 1/2 |
| | | | | 版次(REV.) | A |